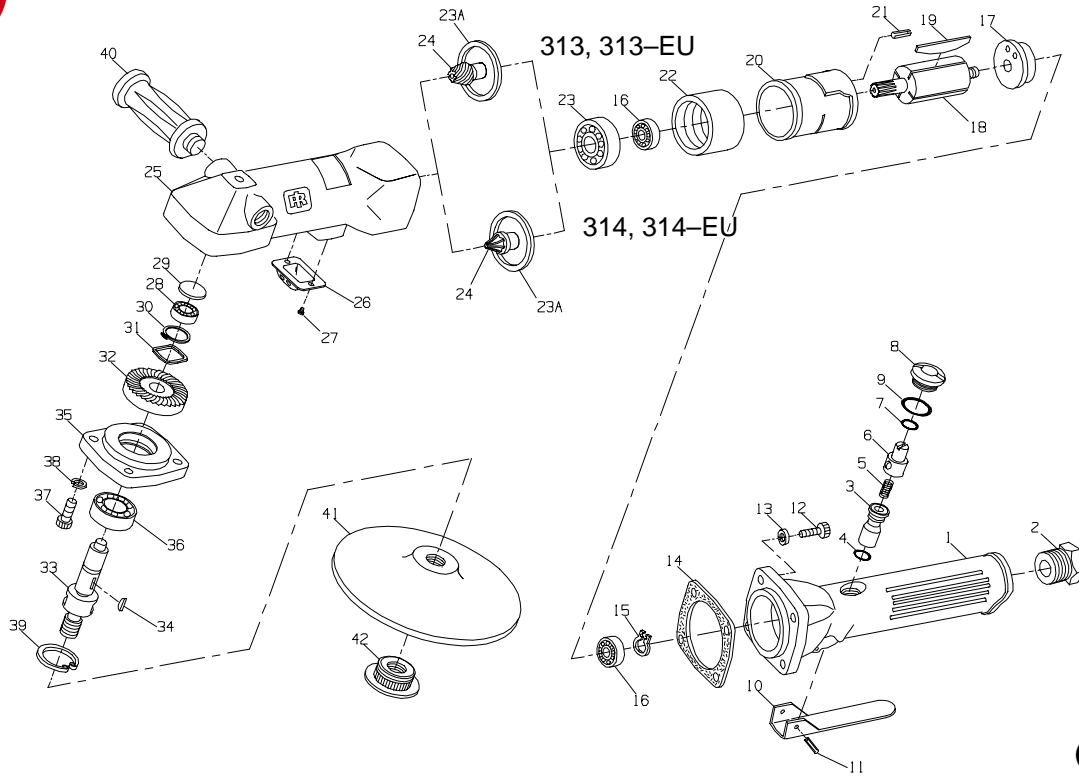




MODELS 313 AND 313-EU ANGLE SANDERS AND MODELS 314 AND 314-EU ANGLE POLISHERS



PART NUMBER FOR ORDERING

1	Throttle Handle Assembly (includes Throttle Valve Bushing)	313-A160	26	Exhaust Deflector	313-123
2	Inlet Bushing	310-465	27	Deflector Retaining Screw (2)	313-124
3	Throttle Valve Assembly	308-A302	28	Arbor Upper Bearing	107-97
4	Throttle Valve Seal	208-159	29	Bearing Cover	313-110
5	Throttle Valve Spring	308-51	30	Gear Retaining Ring	313-578
6	Speed Regulator	308-249	31	Gear Thrust Washer	313-278
7	Regulator Seal	308-251	32	Pinion Gear for 313	313-552
8	Throttle Valve Cap Assembly	308-A266		for 314	314-552
9	Valve Cap Seal	308-206	33	Arbor	313-591
10	Throttle Lever	107-273	34	Arbor Key	313-579
11	Throttle Lever Pin	107-120	35	Bearing Housing	313-555
12	Throttle Handle Cap Screw (4)	313-103	36	Arbor Lower Bearing	313-593
13	Lock Washer (4)	313-104	37	Bearing Housing Cap Screw (4)	313-203
14	Throttle Handle Gasket	313-739	38	Lock Washer (4)	313-104
15	Rotor Bearing Retainer	7802-118	39	Bearing Retaining Ring	313-531
16	Rotor Bearing (2)	107-97	40	Dead Handle	313-48
17	Rear End Plate	313-12	41	Pad	313-825-7
18	Rotor for 313	313-53	42	Pad Nut	313-226
	for 314	314-53	*	Nameplate for 313	313-301
19	Vane Packet (set of 4 Vanes)	313-42-4		for 314	314-301
20	Cylinder Assembly	313-A3		for 313-EU	313-EU-301
21	Cylinder Alignment Pin	308-98		for 314-EU	314-EU-301
22	Front End Plate	313-11	*	Nameplate Screw (2)	222-302
23	Pinion Bearing	313-511	*	Arbor Wrench	313-69
23A	Shim Packet (includes 1 shim)	313-448	*	Polishing Pad (7-1/2")	P500-850
24	Pinion for 313	313-551	*	Warning Label for 313 and 314	WARNING-17-99
	for 314	314-551		for 313-EU and 314-EU	EU-99
25	Angle Housing	313-550			

* Not illustrated.