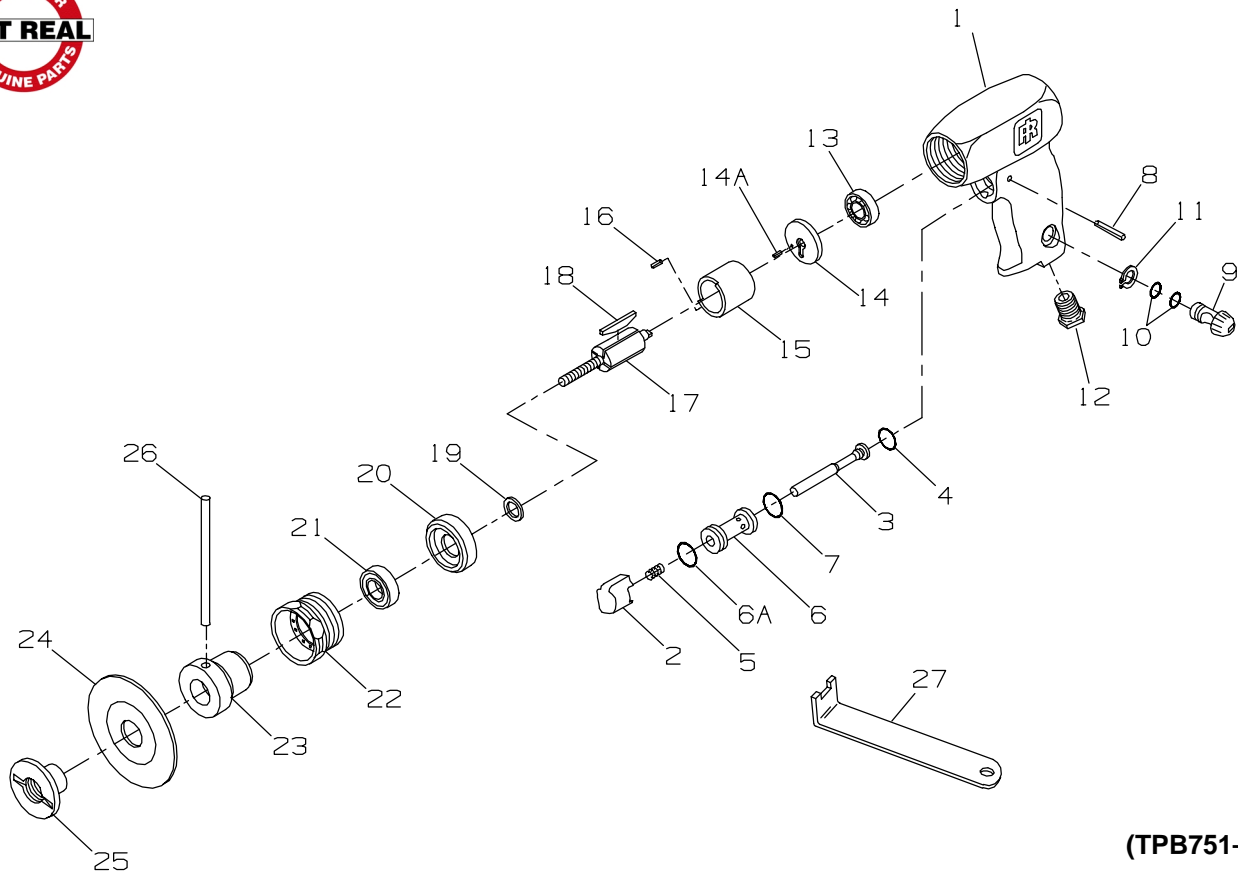




MODELS 317 AND 317-EU ANGLE POLISHERS



(TPB751-1)

PART NUMBER FOR ORDERING

1	Motor Housing	317-40	17	Rotor	317-53
2	Trigger	317-93	18	Vane Packet (set of 4 Vanes)	317-42-4
3	Throttle Valve Assembly	317-A302	19	Rotor Spacer	317-65
4	Throttle Valve Seal	317-103	20	Front End Plate	317-11
5	Throttle Valve Spring	317-51	21	Front Rotor Bearing	317-22
6	Throttle Valve Body Assembly	317-A503	22	Motor Locknut	317-27
6A	Valve Body Seal	7802-291	23	Inner Disc Flange	317-86
7	Valve Body Seal	7802-291	24	Backing Pad (package of 3)	317-825
8	Valve Body Retaining Pin	317-120	25	Outer Disc Flange	317-226
9	Speed Regulator Assembly	317-A249	26	Inner Flange Wrench	317-26
10	Regulator Seal (2)	310-169	27	Outer Flange Wrench	317-69
11	Regulator Retainer	317-118	*	Nameplate	
12	Inlet Bushing	317-38		for 317	317-301
13	Rear Rotor Bearing	222-22		for 317-EU	317-EU-301
14	Rear End Plate Assembly	317-A12	*	Nameplate Drive Screw (2)	222-302
14A	End Plate Dowel	308-98	*	Warning Label	
15	Cylinder Assembly	317-A3		for 317	WARNING-17-99
16	Cylinder Dowel	308-98		for 317-EU	EU-99

* Not illustrated.