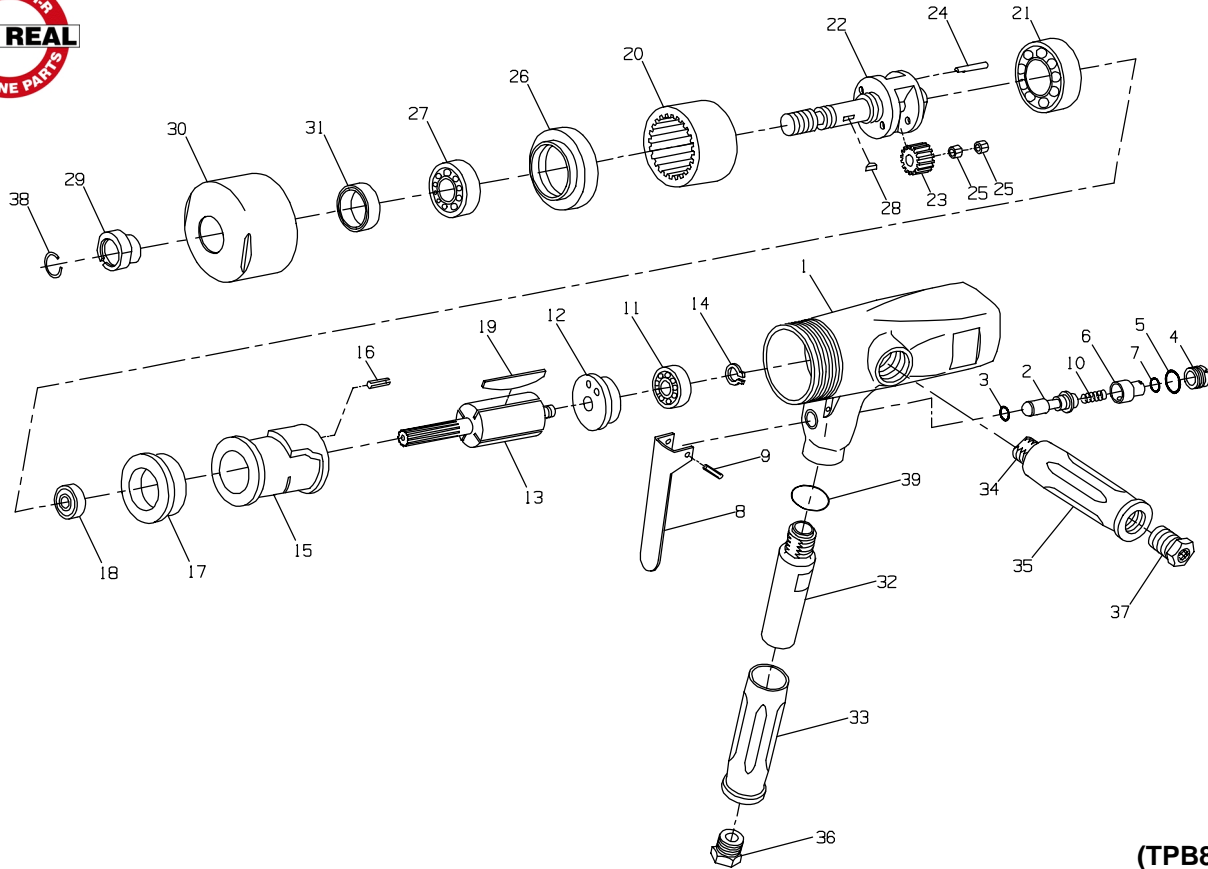




# MODELS 318 AND 318-EU POLISHERS



(TPB809-1)

**PART NUMBER FOR ORDERING**

1	Motor Housing .....	318-A40	26	Bearing Housing .....	318-555
1A	Housing Plug .....	318-504	27	Front Arbor Bearing .....	7803-509
2	Throttle Valve Assembly .....	318-A302	28	Arbor Key .....	318-579
3	Throttle Valve Seal .....	308-159	29	Clamp Nut .....	318-86
4	Throttle Valve Cap Assembly .....	308-A266	30	Housing Nut Assembly .....	318-A200
5	Valve Cap Seal .....	308-206	31	Oil Seal .....	318-708
6	Speed Regulator .....	308-249	32	Inlet Handle Assembly .....	318-A169
7	Regulator Seal .....	308-251	33	Handle Grip .....	318-170
8	Throttle Lever .....	107-273	34	Exhaust Handle Assembly .....	318-A171
9	Throttle Lever Pin .....	107-120	35	Handle Grip .....	318-170
10	Throttle Valve Spring .....	308-51	36	Inlet Bushing Assembly .....	318-A465
11	Rear Rotor Bearing .....	107-97	37	Exhaust Deflector Assembly .....	318-A23
12	Rear End Plate .....	313-12	38	Spindle Retaining Ring .....	318-531
13	Rotor .....	318-53	39	Inlet Handle Seal .....	318-283
14	Rear End Plate Retainer .....	7802-118	*	Pad .....	313-825-7
15	Cylinder Assembly .....	313-A3	*	Pad Nut .....	313-226
16	Cylinder Alignment Dowel .....	308-98	*	Chuck Wrench .....	318-69
17	Front End Plate .....	318-11	*	Nameplate	
18	Front Rotor Bearing .....	318-22		for 318 .....	318-301
19	Vane Packet (set of 4 Vanes) .....	313-42-4		for 318-EU .....	318-EU-301
20	Ring Gear .....	318-37	*	Warning Label	
21	Spindle Bearing .....	318-593		for 318 .....	WARNING-17-99
22	Spindle Assembly .....	318-A591		for 318-EU .....	EU-99
23	Planet Gear (2) .....	318-10	*	Polishing Pad (7-1/2") .....	P500-850
24	Planet Gear Pin (2) .....	318-191			
25	Needle Bearing (4) .....	318-500			

\* Not illustrated.