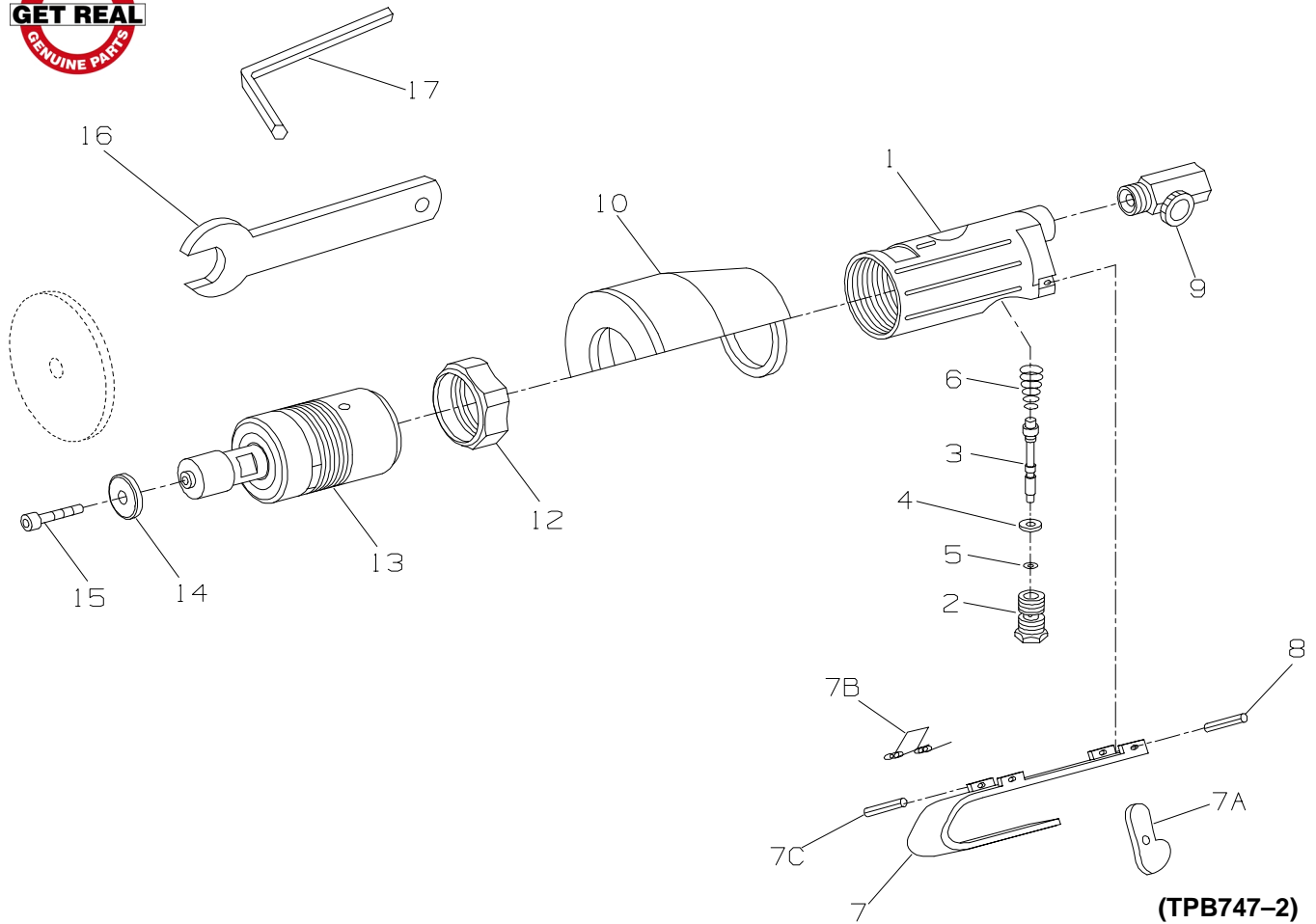




326 AIR CUT-OFF TOOL



PART NUMBER FOR ORDERING

1	Motor Housing	326-40	9	Regulator Assembly	326-250
*	Warning Label	326-99B	10	Steel Spark Shield	326-931
2	Throttle Valve	326-50	12	Spark Shield Locknut	326-27
3	Throttle Valve Stem Assembly	326-A152	13	Motor Assembly	326-A53
4	Valve Stem Seal	326-160	14	Wheel Flange	326-337
5	Plunger Seal	326-159	15	Wheel Flange Screw	326-338
6	Throttle Valve Spring	326-51	16	Arbor Wrench	326-69
7	Throttle Lever Assembly	326-A400	17	Flange Screw Wrench	326-68
7A	Throttle Lever Latch	326-402		Nameplate	326-301
7B	Latch Spring	326-405	*	Nameplate Drive Screw (2)	326-302
7C	Latch Pin	326-739			
8	Throttle Lever Pin	326-120			

* Not illustrated.