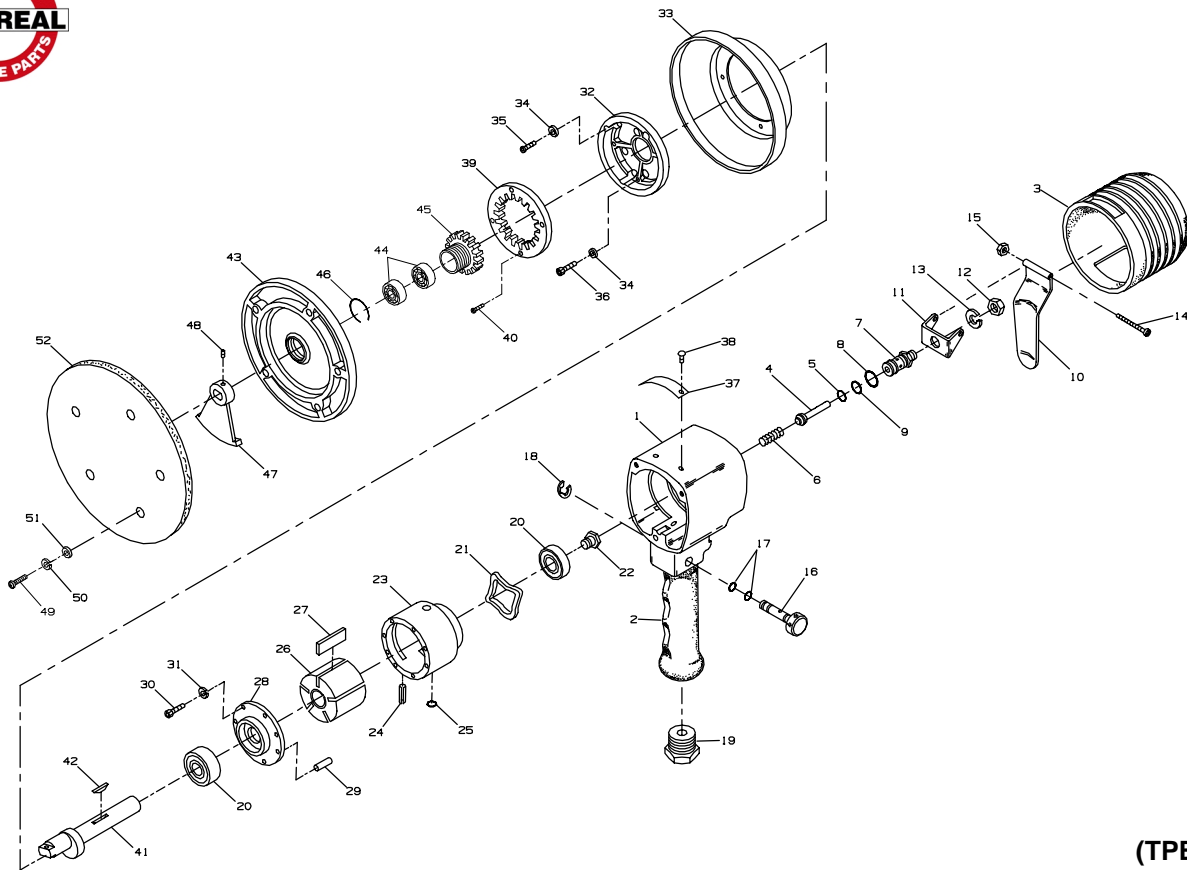




MODEL 328A GEARED ORBITAL SANDER



(TPB881)

PART NUMBER FOR ORDERING

1	Cylinder Case Assembly (includes Handle Shield)	328-A25	28	Front End Plate Assembly	328-A12
2	Handle Shield	328-110	29	End Plate Dowel (2)	328-15
3	Cylinder Case Shield	328A-109	30	Front End Plate Mounting Screw (4)	328-279
4	Throttle Valve Assembly	328-A302	31	Mounting Screw Washer (4)	328-280
5	Throttle Valve O-ring	328-159	32	Gear Housing	328A-378
6	Throttle Valve Spring	328-51	33	Gear Housing Shield	328A-376
7	Throttle Valve Body Assembly	328-A303	34	Lock Washer (4)	328A-380
8	Large Valve Body O-ring	328-166	35	Gear Housing Mounting Screw (Short) (2)	328-379
9	Small Valve Body O-ring	328-167	36	Gear Housing Mounting Screw (Long) (2)	328A-377
10	Throttle Lever	328-273	37	Nameplate	328A-301
11	Throttle Lever Bracket	328-274	38	Nameplate Screw (2)	222-302
12	Lever Bracket Nut	328-278	39	Internal Gear	328A-388
13	Lever Bracket Washer	328-277	40	Internal Gear Mounting Screw (4)	328-389
14	Throttle Lever Bolt	328-275	41	Rotor Shaft	328-54
15	Throttle Lever Nut	328-276	42	Rotor Key	328-52
16	Power Regulator Assembly	328A-A165	43	Pad Housing	328A-236
17	Power Regulator O-ring (2)	328-169	44	Pad Housing Bearing Set (consists of 2 Bearings)	328-831
18	Regulator Retainer	328A-118	45	Spur Gear Assembly	328A-A381
19	Inlet Bushing	328-465	46	Retaining Clip	328A-382
20	Rear Rotor Bearing	328-24	47	Counterweight	328-836
21	Rear Rotor Bearing Thrust Washer	328-631	48	Counterweight Screw	328-840
22	Bearing Retaining Screw	328-56	49	Pad Mounting Screw (5)	328A-17
23	Cylinder Assembly	328A-A3	50	Pad Mounting Screw Lock Washer (5)	328A-18
24	Cylinder Alignment Pin	328-98	51	Pad Mounting Screw Washer (5)	328A-19
25	O-ring	328A-99	52	Rubber Pad	328A-26
26	Rotor	328-53			
27	Vane Packet (set of 5 Vanes)	328-42-5			