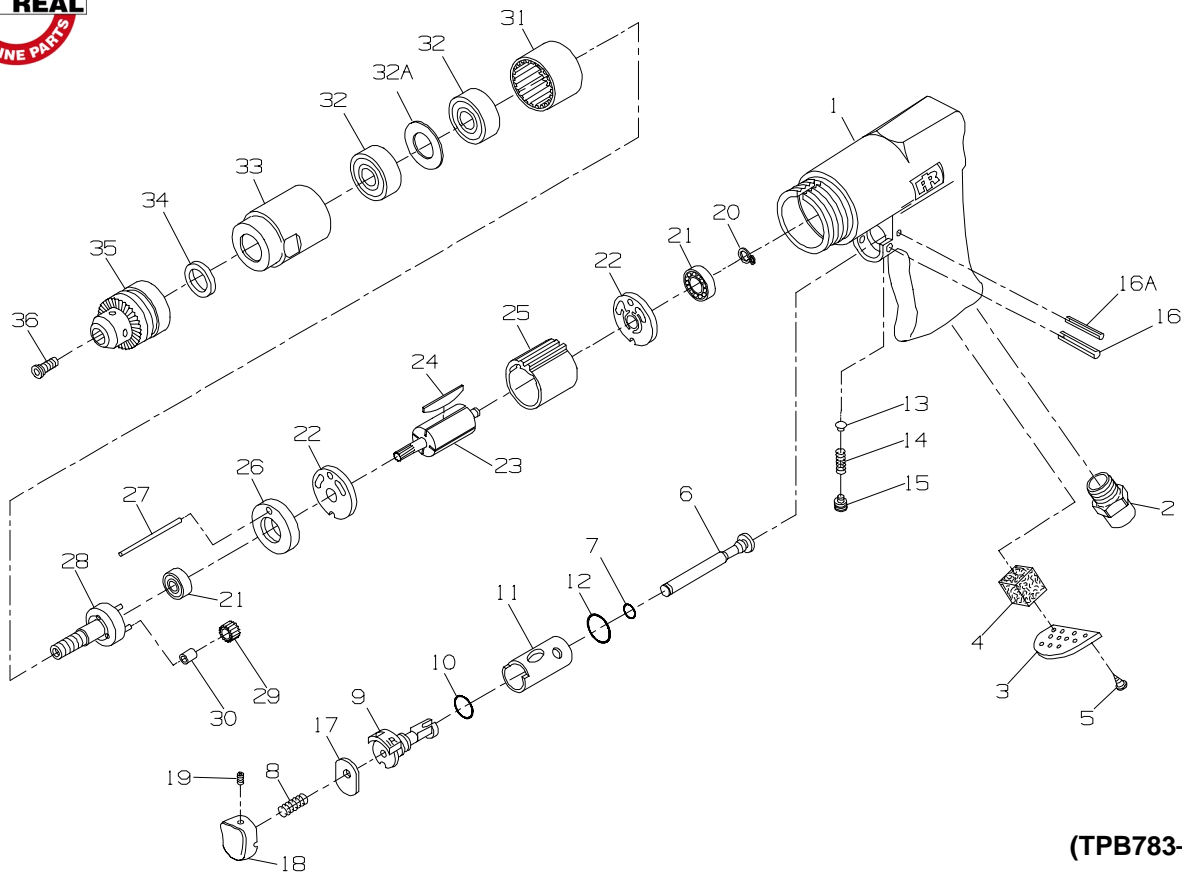




MODELS 7802R AND 7802R-EU DRILLS



(TPB783-1)

PART NUMBER FOR ORDERING

1	Motor Housing	7802R-40	20	Bearing Retaining Ring	7802R-118
*	Warning Label		21	Rotor Bearing (2)	7802R-24
	for model 7802R	WARNING-7-99	22	End Plate (2)	7802R-12
	for model 7802R-EU ...	EU-99	23	Rotor	7802R-53
2	Inlet Bushing	7802-465	24	Vane Packet (set/5)	7802R-42-5
3	Exhaust Silencer	7802R-23	25	Cylinder	7802R-3
4	Muffler Element	7802-311	26	Rotor Bearing Housing	7802R-13
5	Exhaust Silencer Screw (2)	7802R-262	27	Cylinder Dowel	7802R-98
6	Throttle Valve Assembly	7802R-A302	28	Spindle	7802R-A8
7	Throttle Valve Seal	7802R-159	29	Spindle Planet Gear Assembly (3) ...	7802R-A10
8	Throttle Valve Spring	7802R-51	30	Planet Gear Bushing (3)	7802R-500
9	Reverse Valve Assembly	7802R-A329	31	Ring Gear	7802R-406
10	Reverse Valve Seal	7802R-67	32	Spindle Bearing (2)	7802R-510
11	Reverse Valve Bushing	7802R-330	32A	Bearing Spacer	7802R-511
12	Reverse Valve Bushing Seal	7802R-14	33	Gear Case Housing	7802R-27
13	Reverse Valve Detent Pin	7802R-255	34	Chuck Spacer	7802R-90
14	Reverse Valve Detent Spring	7802R-664	35	Chuck (3/8" capacity)	7802-99
15	Reverse Valve Screw	7802R-665	36	Chuck Retaining Screw	7802R-95
16	Retaining Pin (2)	7802R-120	*	Chuck Key	R000B2J70-J253
16A	Trigger Pin	7802R-121	*	Nameplate	
17	Detent Cover	7802R-666		for model 7802R	7802R-301
18	Trigger	7802R-93		for model 7802R-EU	7802R-EU-301
19	Trigger Setscrew	7802R-68	*	Nameplate Screw (2)	1222-302

* Not illustrated.